

Bluetooth stereo Headset

User Manual

6. Ensure the distance between your headset and phone is within 10 meters, and without any obstacles. You can use the headset freely.
7. If the headset had paired with your phone but disconnected, it will be paired automatically again when turns on within operation range.

Multi-points connection:

Follow the above pairing procedure to pair with the first phone, power off the headset after successful pairing, repeat pairing procedure to pair the second phone, then power off the headset. Power on the headset into standby mode, the headset will automatically recognize and connect to both phones with voice prompt accordingly.

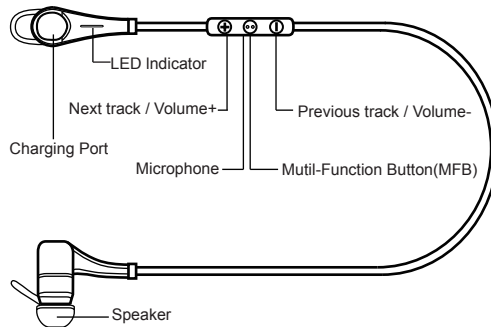
Answering/Ending a Call

- Press MFB once

Rejecting a Call

- Press and hold MFB for 2 seconds until prompt.

Structure Sketch



Voice Dialing

- In STANDBY MODE, press and hold MFB and say the voice tag as soon as you hear prompt.

Last Number Redialing

- Double Press the MFB under standby mode.

Adjusting Volume

- Press Δ or ∇ to adjust the volume to meet your need.

Power Save:

- The headset will enter into sleeping mode automatically if no action taken within few minutes

Remote-control Functions

Play/Pause

- Press MFB button once for music playing and press again to pause

Basic Operations

Charging Your Headset

- Prior to using the headset for the first time, the battery needs to be fully charged. Approximately 2 hours are required to fully charge the headset.
- The indicator light turns red while being charged, and will turn blue automatically after being fully charged.
- When the headset is running out of battery, the indicator light will flash red and beeps (the headset will switch off automatically when the battery is drained).
- Please charge the headset as above steps in time to prolong the battery's useful life (Charging indication will be delayed for a few minutes if the headset has not been used for a long time or the battery is drained).

Forward

- Long press + button to drop out or forward to the next song

Backward

- Long press - to backward or return back to the last song

Note: Ensure your paired devices support AVRCP Bluetooth Profile for remote-control functions.

Disconnecting

- To disconnect the paired headset from your phone, please turn off the headset or disconnect the headset from the Bluetooth menu of your phone.

Care and Maintenance

- Do not use abrasive cleaning solvents to clean the headset.
- Do not allow the headset to come into contact with sharp objects and this will cause scratching and damage.

Turning on the Headset

- In OFF MODE, press and hold MFB for about 3 seconds until you hear a short beep and the indicator light flashes blue for 3 times, then the headset will enter into STANDBY MODE.

Select Voice Prompt Language

- In pairing mode, press and hold the MFB until the voice prompt, you will hear three chimes, the languages changed, the system will rotate the available languages through voice prompt, select the desired language when heard by pressing the MFB to confirm.

Turning off the Headset

- In ON MODE, press and hold MFB for about 3 seconds until you hear a short beep and the indicator light flashes red for 2 times, then the headset will enter into OFF MODE.

- Be sure to store the headset in a dry place, free from extreme temperatures, humidity and dust.

Additional Statements

- The headset is compliant with the specified Bluetooth version. It does not guarantee compatibility of all functions on every Bluetooth enabled device.
- Please check your device's user manual for compatibility and functionality.
- Charge the headset under any status to a reset.
- The above operations may vary due to different devices.
- Manufacturer reserves the right to final explanation of all the above statements.

Pairing Your Headset with a Bluetooth Mobile Phone

1. Ensure the headset is off, and the distance between your headset and phone is within 1 meter.
2. Press and hold MFB for about 5 seconds until the indicator light flashes blue and red alternately as PAIRING MODE.
3. Activate the Bluetooth function on the phone; search for Bluetooth devices (See the user guide of your phone for instructions).
4. Select headset "SBT227" from the found devices list of the phone.
5. Enter the passkey "0000" if requested; confirm to pair the headset with your phone. If successfully paired, the headset will beep, and the indicator light will circle blue. The headset enters into the STANDBY MODE, the indicator light circles blue.

Specifications

Bluetooth Specification	V3.0+HS
Bluetooth Profiles Supported	Headset , Handsfree , multi-points, A2DP, AVRCP
Transmission Power	Class 2
Operation Range	Up to 10 Meters
Frequency Range Battery	Built-in Rechargeable 65mAh Li-polymer Batter(401024) 2.402-2.480GHz
Charging Voltage	DC4.75-5.25V
Charging Time	About 2 hours
Music Playing Time*	Up to 4 hours
Talking Time*	Up to 5 hours
Standby Time*	Up to 160 hours

*May vary due to user's operation mode and device settings.